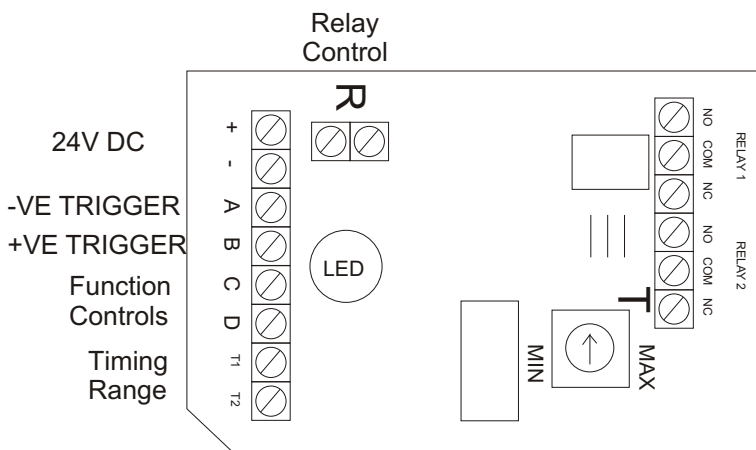


S351/24V Control / Timer Relay

Control Functions	Timing Function with latching trigger	Timing Function with momentary trigger
<p>Commutating Relay <u>Setup</u> The function control terminals C and D are not connected. The Relay control R and the timing range T1 and T2 are also not connected and have no function. The POT has no function.</p> <p><u>Operation</u> Apply a trigger. The relay changes over and the led indicates green. This will remain until the first trigger is removed and a second trigger is applied, then the relay will switch back and the led indicates red, until the trigger is removed when the led will extinguish.</p> <p>A-stabling Relay <u>Setup</u> The function control terminals C and D are both connect to +ve. The Relay control R is not connected and has no function.</p> <p><u>Rate of A-stable.</u> Without a link in T1 and T2 is the lower range from less than 1 second up to 10 seconds. When T1 and T2 are linked, this is the upper range from 3 to 60 seconds.</p> <p><u>Operation</u> Apply a trigger and the relay will a-stable. When the relay is switched the led illuminates green and when the relay is un-switched, the led illuminates red. When the trigger is removed, the relay will stop a-stabling, reset to the un-switched sate and the led will extinguish.</p>	<p>Bell cut off timer <u>Setup</u> The function control terminals, D is connected to +ve and C is not connected. The relay control input R is linked.</p> <p><u>Timing ranges</u> Without a link in T1 and T2 is the lower range from less than 1 second up to 60 seconds. When T1 and T2 are linked, this is the upper range from less than 1 minute up to 60 minutes.</p> <p><u>Operation</u> Apply a trigger, the led illuminates green, but the relay doesn't switch. If the trigger is removed, the led extinguishes and the timing is stopped. If the time period expires while the trigger is still applied, then the relay switches and the led illuminates red. This will remain until the trigger is removed.</p> <p>Max time switch <u>Setup</u> The function control terminals, D is connected to +ve and C is not connected. The relay control input R is not linked.</p> <p><u>Timing ranges</u> as above.</p> <p><u>Operation</u> Apply a trigger, the led illuminates green, and the relay switches. If the trigger is removed, the led extinguishes, the relay switches back and the timing is stopped. If the time period expires while the trigger is still applied, then the relay switches back and the led illuminates red. This will remain until the trigger is removed.</p>	<p>Reset pulse <u>Setup</u> The function control terminals, C is connected to +ve and D is not connected. The relay control input R is linked.</p> <p><u>Timing ranges</u> Without a link in T1 and T2 is the lower range from less than 1 second up to 60 seconds. When T1 and T2 are linked, this is the upper range from less than 1 minute up to 60 minutes.</p> <p><u>Operation</u> Apply a trigger, the led illuminates green, but the relay doesn't switch. If the trigger is removed, the timing continues. When the time period expires with the trigger removed, then the relay switches and the led illuminates red. This will remain for 1 second, then the relay will switch back and the led extinguish.</p> <p>Pulse stretching <u>Setup</u> The function control terminals, C is connected to +ve and D is not connected. The relay control input R is not linked.</p> <p><u>Timing ranges</u> as above.</p> <p><u>Operation</u> Apply a trigger, the led illuminates green, and the relay switches. If the trigger is removed, the timing continues. When the time period expires with the trigger removed, the relay switches back and the led illuminates red for 1 second and then extinguishes.</p>

The trigger terminals, A is a -ve applied to trigger, B is +ve applied to trigger.



Note
 This unit requires 24v dc to power it at all times. (20-28v dc).

Note 1
 If the input is not removed when the timing has finished in both momentary trigger modes, then the led will remain illuminated red and the relay will remain in the state that it was when the led illuminated red until the trigger is removed.

Contact ratings
 The relay is DPCO rated 1Amp @ 30v dc. It must not be used to switch mains voltages.



Hoyles Electronic Developments Ltd

T. 01744 886600 F. 01744 886607 E. sales@hoyles.com W. www.hoyles.com

60043-24v Oct 08

