

# Mushroom Headed Push Button ●●●●

S1712S Mushroom headed Momentary action button

S1711S Mushroom latching button with twist to reset facility

S1711SL Mushroom latching button with twist to reset facility plus LED

S1713S Mushroom latching button with key reset facility

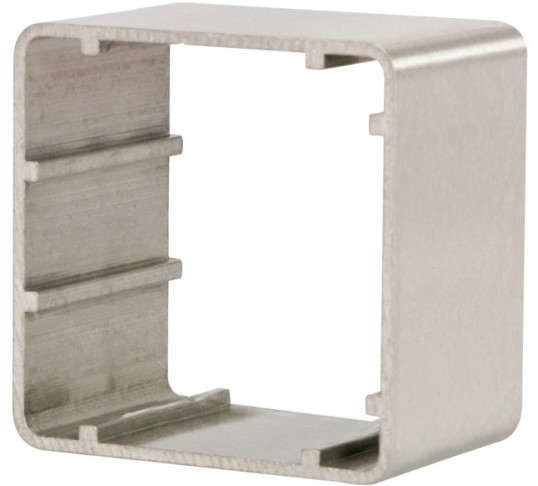
Normally closed contact fitted as standard on mushroom headed buttons. Normally open contact block available separately.

For S1711 and S1712 please order part no. BUTMUSNO

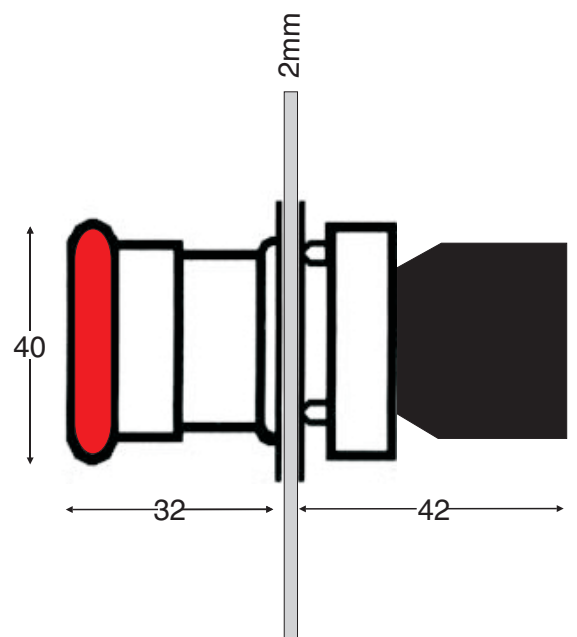
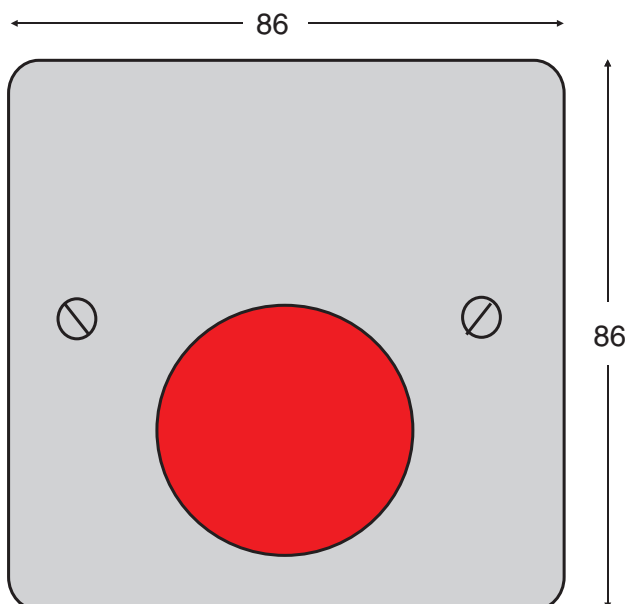
For S1712 please order part no. BUTMUSMON/NO

Supplied with 47mm deep flush fitting back box

Can be surface mounted using Ref - S0610-50 see image adjacent.



Dimensions in (mm)



**Hoyles Electronic Developments Ltd**

T. 01744 886600

F. 01744 886607

E. [sales@hoyles.com](mailto:sales@hoyles.com)

W. [www.hoyles.com](http://www.hoyles.com)