

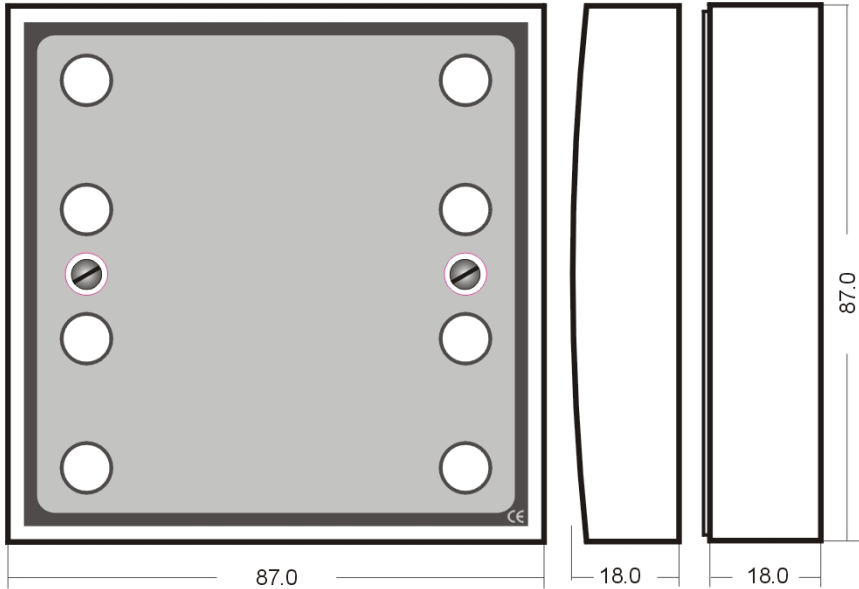
Single Gang Overdoor Light with integral sounder

S1778PR, S1778PG, S1778PB, S1778PY – wiring sounder is optional

Alarm Set Indicator Plate

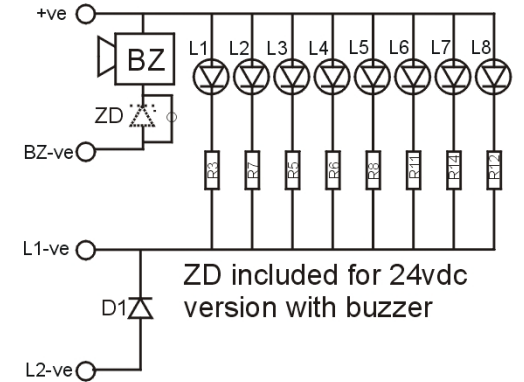
S319iv2 – no sounder option

These items are supplied with a back box for surface mounting but can be fitted to single gang socket boxes for low profile mounting.



NOTE:

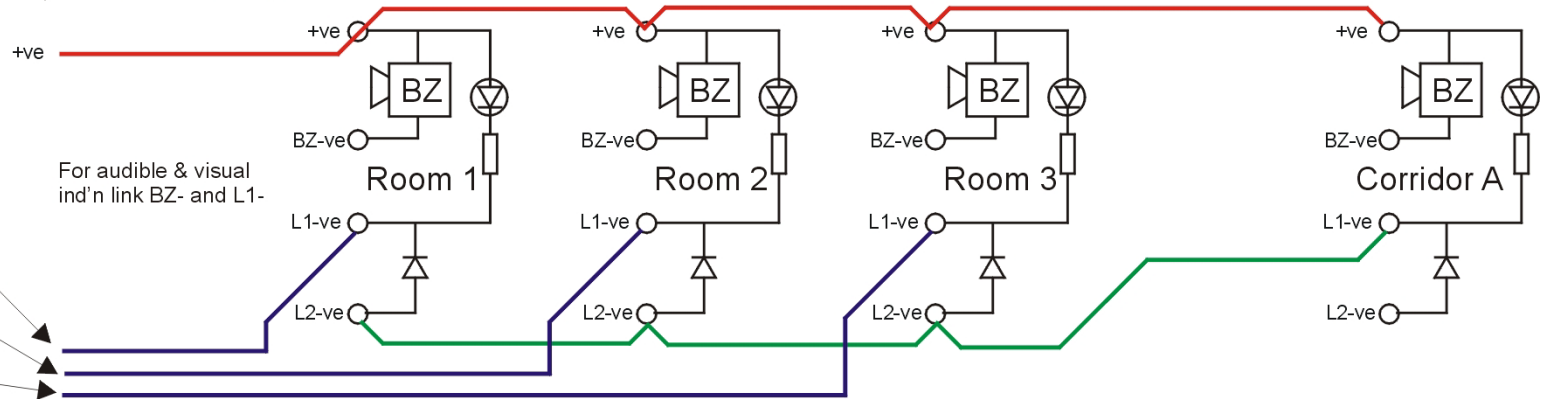
These items are for 12 vdc operation. 24vdc is possible to special order - add suffix 24 eg. S1778PR-24



Applying -ve to L1-ve of room 1 indicator will illuminate room 1 indicator and corridor A indicator.

Applying -ve to L1-ve of room 2 indicator will illuminate room 1 indicator and corridor A indicator.

Applying -ve to L1-ve of room 3 indicator will illuminate room 1 indicator and corridor A indicator.



DWG 60115

Hoyles Electronic Developments Ltd

Sandwash Close, Rainford, St Helens, WA11 8LY, UK

www.hoyles.com

sales@hoyles.com

+ 44 (0) 1744 886600

