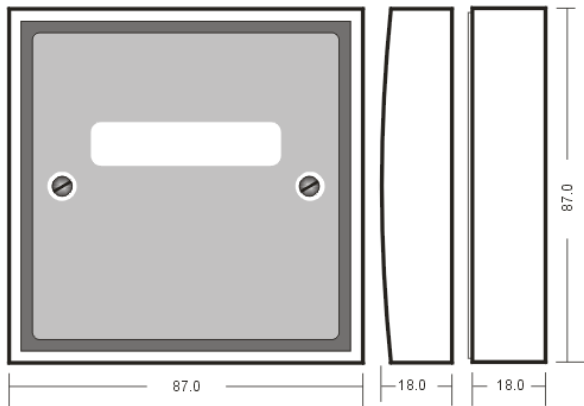


Boxed Relay Labelling Instructions

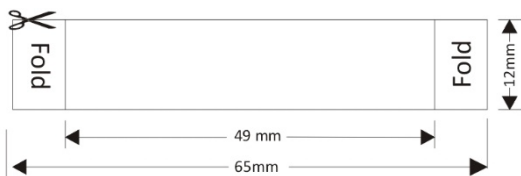
Depending on model number, a front and back acting tamper switch may be provided with boxed relay products. The switch is normally closed and opens if the face plate is removed from the wall. The spring provided for the tamper switch needs to be pushed on to the tamper switch before finally fixing the face plate in place.

The enclosures are supplied un-labelled. The decal (included) has a clear window 10mm x 46mm. The area under the decal is 12mm wide, units come supplied with a selection of pre-printed paper labels ready to fit. A plain label is also supplied, customisation is simple with a labelling machine.

Dimensions (mm)



Fold	RELAY	Fold	Fold	Alarm Relay	Fold	Fold	Fire Alarm Relay	Fold
Fold	Lighting Relay	Fold	Fold	CCTV Relay	Fold	Fold	Intruder Alarm Relay	Fold
Fold	Communicator Relay	Fold	Fold	Fire Relay	Fold	Fold	Relay	Fold
Fold	Door Relay	Fold	Fold	FIRE RELAY	Fold	Fold	Lock Relay	Fold
Fold	Relay Interface	Fold						



Before applying decal fold paper label and insert through slots.

Ensure surface is clean & free from dust etc.

