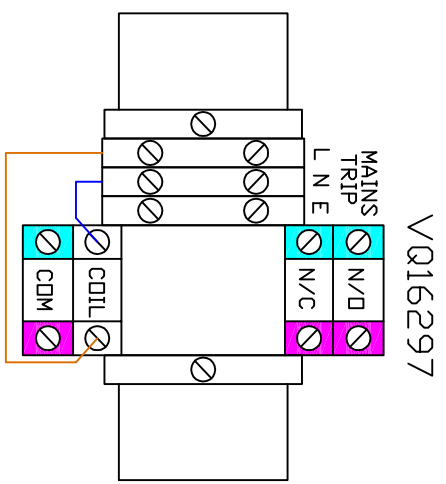


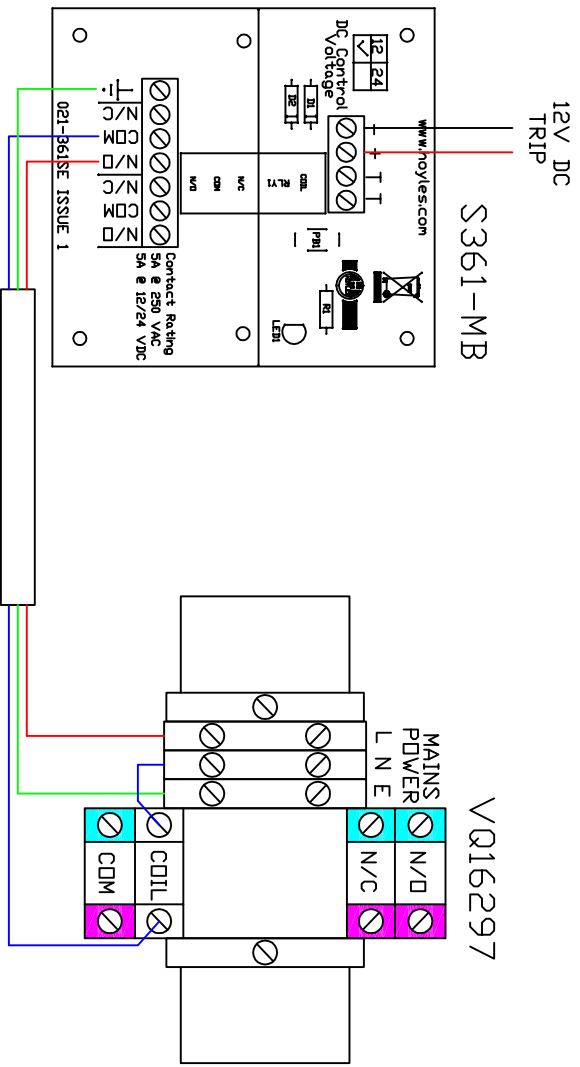
USED ALONE



DPCC Clean contact
rated 10A @240V ac

- Pole 1
- Pole 2

USED WITH S361-MB



DPCC Clean contact
rated 10A @240V ac

- Pole 1
- Pole 2

Dimensions in mm	Hoyles Electronic Developments Ltd		DRAWN BY	K.D.L.D.FIELD
MATERIAL	Copyright & Confidential		APPROVED	
	SPECIAL PROJECT			
FINISH	MAINS RELAY CONNECTIONS		DWG No	60175
A15.0316	ORIG	ISSUE		SHT 1 DF 1