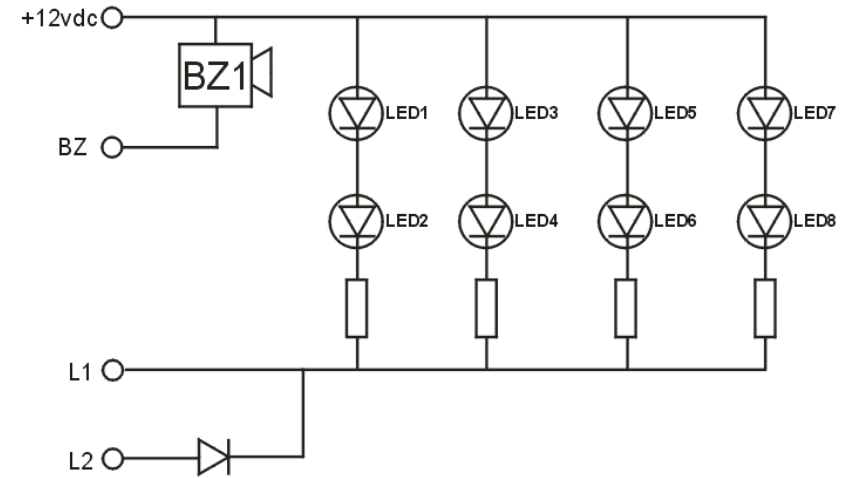
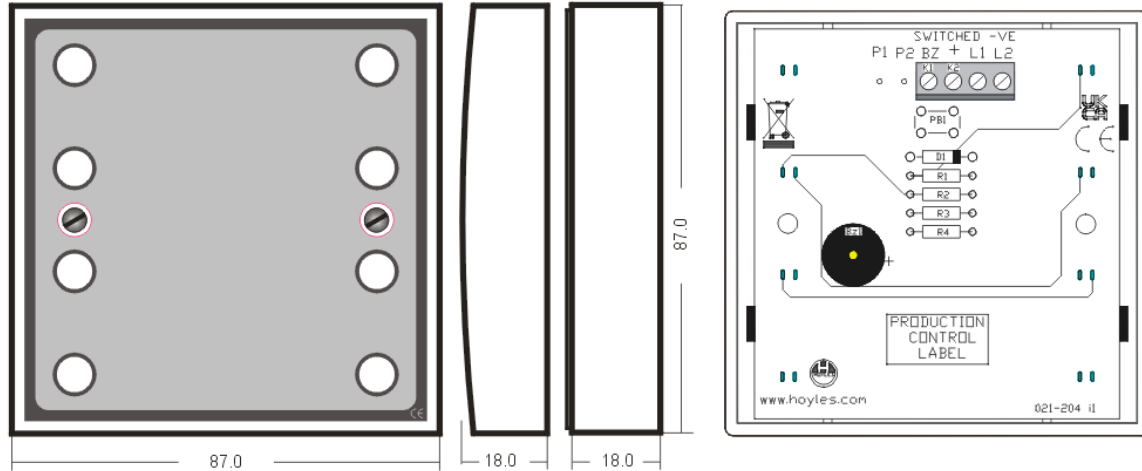


Single Gang Overdoor Light with integral sounder - S1778PB – wiring sounder is optional

Note:

Operating voltage - 12vdc
LED Current - 50mA
Sounder Current - 25mA

These items are supplied with a back box for surface mounting but can be fitted to single gang socket boxes for low profile mounting.



Example wiring for corridor grouping

Applying -ve to L1-ve of room 1 indicator will illuminate room 1 indicator and corridor A indicator.

Applying -ve to L1-ve of room 2 indicator will illuminate room 1 indicator and corridor A indicator.

Applying -ve to L1-ve of room 3 indicator will illuminate room 1 indicator and corridor A indicator.

