

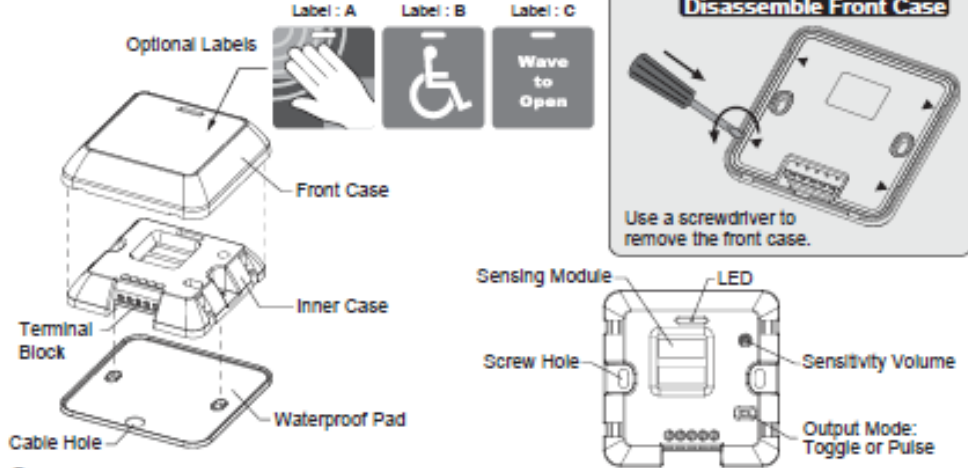
Microwave Touchless Switch (ClearWave)

The ClearWave is a highly sensitive, high performance switch designed to activate automatic doors by detecting the movement of a person or object. For the safe and accurate use of this product, please read this instruction manual carefully.

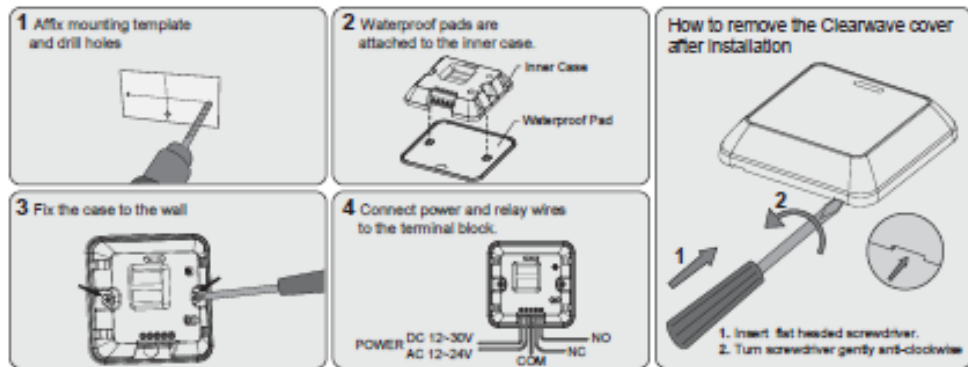
1 Technical specifications

Technology : Microwave Motion Sensor	Power Supply : DC 12~30V, AC 12~24V
Microwave Module : 24.125GHz	Current Consumption : < 1.4W
Product Size : 85.9mm × 85.9mm × 20mm (W × L × H)	Output : Relay Contact (1A/24VDC)
Detection Range [Hand] : ±5~40cm	Output Hold Time : 1.2Sec. (PULSE mode)
Detection Mode : Motion (Bi-directional)	Operating Temp/Humidity : -20°C~+60°C/0~90%
Speed of Target : Min. ±3cm/s, Max. ±1.5m/s	International Protection : IP54

2 General Information



3 Installation Guide



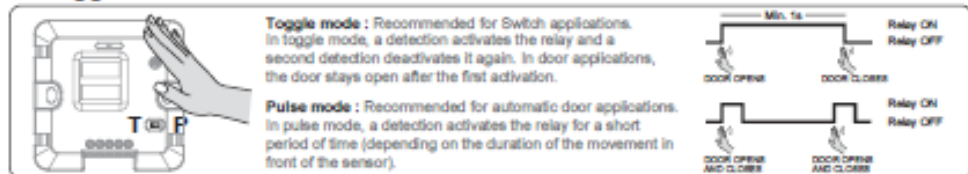
Caution

Do not supply power during installation.
 Do not disassemble or modify the device, it may cause fire or electric shock

4 Sensitivity Adjustment



5 Toggle mode / Pulse mode



6 Mounting Information

