



Weatherproof SpeechPOD® SD Evolution (Part No CSA-PODW24)



Brand new for 2012, the SpeechPOD SD Evolution is the first product to incorporate SD flash memory technology.

SpeechPOD SD Evolution incorporates a PIR motion sensor and is designed to provide voice messages in any area of a facility to warn of special risks or hazards such as slips, trips and falls, infection control procedures, hygiene requirements, security monitoring or point of sale merchandising.

Fully programmable with a simple hand held remote, SpeechPOD SD Evolution is a truly global product with the ability to play any audio file in any language without the need for complex programming knowledge.

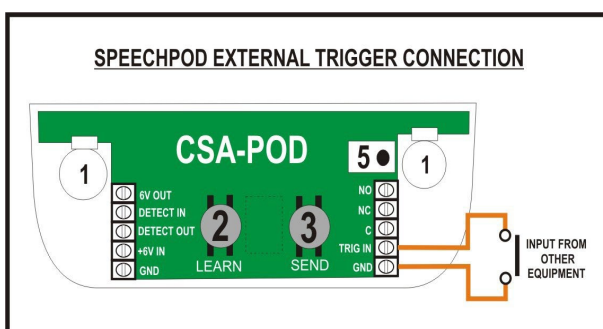
Product Features

- On sensing the presence of people, SpeechPOD SD Evolution will play any pre-programmed voice files in any language.
- Time delays between messages are selectable via the remote programmer to ensure that the message is broadcast at the right time.
- Up to 100 messages can be pre-programmed and selected either individually or sequentially where each message in the list is played in turn on each activation.
- SpeechPOD SD Evolution has a special 'Cleaner Mode' which allows cleaners to set a warning message for a wet and slippery floor. After a preset time, SpeechPOD reverts to its original settings without the need for manual intervention.
- SpeechPOD SD Evolution contains a Windows® based file structure which allows simple 'drag and drop' file copying for ease of programming.
- New SmartWave® hi-resolution voice playback software produces crystal clear hi-fidelity audio files to be broadcast in any location.
- SpeechPOD SD Evolution can be powered simply by 4 x AA alkaline batteries, or connected to the mains through a 12Vdc or 24Vdc power supply unit for high traffic areas.

Installation Guide

The weatherproof SpeechPOD SD Evolution is supplied in an IP54 enclosure for use in external areas such as under canopies or other sheltered area. The CSA-PODW24 product can be powered using 4 x AA alkaline batteries, or alternatively using a 12Vdc or 24Vdc power supply such as the PSU-12/1AB 1A steel box power supply unit.

Take care when installing the unit as fixing holes drilled into the back plate should be sealed to avoid water ingress which will damage the unit and render it inoperable.



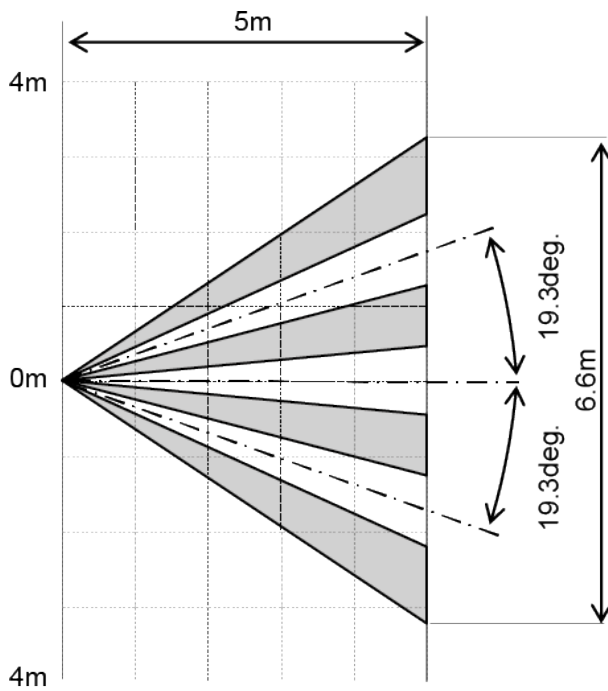
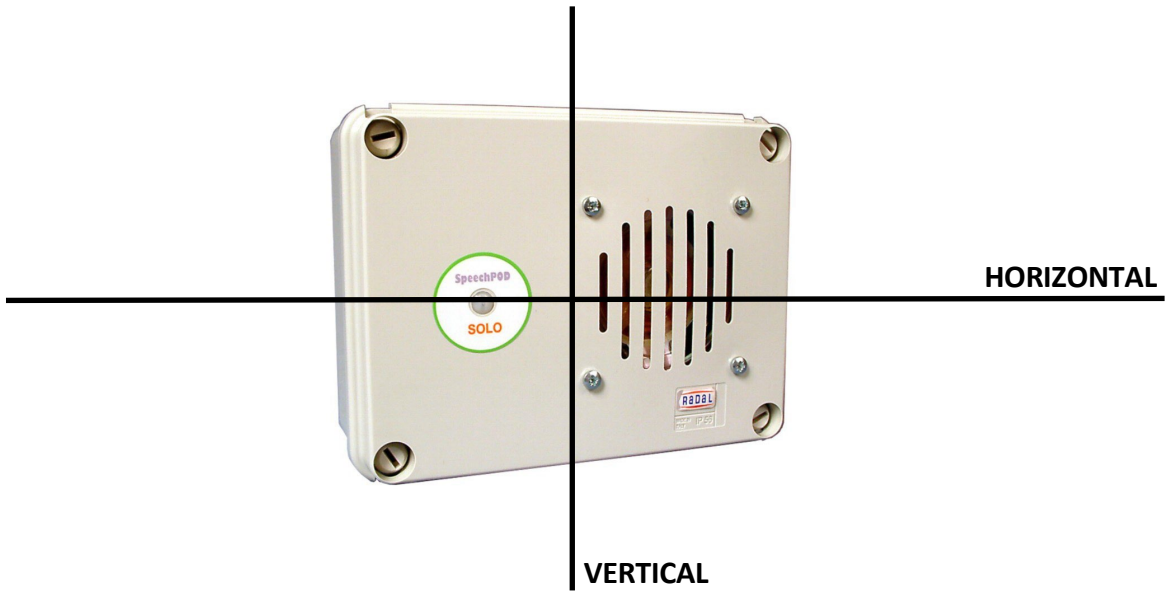
The physical connections for the SpeechPOD are shown in the diagram across. In addition to the standard PIR activation, the unit can also be triggered from an external source such as a door contact, pressure mat, vibration switch etc.

Please note that the maximum range of the PIR detector is approximately 5 metres. The unit will not operate correctly if this distance is exceeded. Please consult the detection area provided on Page 2.

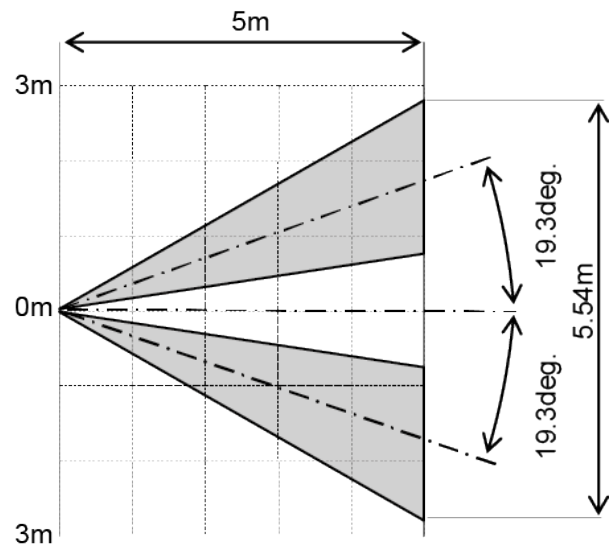


Coverage Area

When installing the Weatherproof SpeechPOD, decide which coverage you require by consulting the PIR coverage diagram below.



Horizontal



Vertical



Configuration Options

IR Remote Controller (Part No CSA-IR2)

For ease of operation you will require the remote controller so that you can access the various programming options of the product. By using the remote controller as shown below, you can select which message is played, whether sequential messages are ON or OFF, select time delays after messages are played and set the desired volume level for your particular application.

SPEECHPOD CONFIGURATION AND SETUP PROCEEDURE



Once you have accessed the configuration menu by pressing the SpeechPOD button, you have access to all the functions relevant to the SpeechPOD element. All these functions are shown below, but remember if you do not have a particular element (e.g. PIR Motion sensor) on the device you have purchased, you will not be able to set the configuration menu for this element.

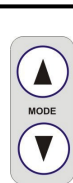


Pressing the LANGUAGE button UP or DOWN will scroll through the list of available languages and the device will tell you which language is currently selected. The languages programmed by the factory are as follows and once selected all the menu settings will be spoken in the selected language.

“ENGLISH” ; “FRANCAIS” ; “DEUTSCHE” ; ESPAÑOL ; AMERICAN ; OTHER



Pressing the MESSAGE button UP or DOWN will scroll through the list of available messages you have programmed in the Cig-Arrête® folder on the SD Flash Card. You can program several messages in this folder and use the MESSAGE button to select the particular message to be played in the event of a smoking detection. Please note that whichever message you select will be played for an alarm event from either the flame detector, or the smoke detector.



Pressing the MODE button UP or DOWN will scroll through the options for the available SpeechPOD functions. The options are shown below with a brief description for each one. The MODE button works together with the TIME DELAY button which selects the various options or time delays for each MODE selected.

“CLEANER MODE—PLEASE SELECT TIME TO OFF”

Used by cleaning staff to change the normal operational mode to play a message alerting partially sighted people that the floor may be wet and slippery. Use the TIME DELAY button to select the time required for the floor to dry (10 mins to 60 mins) After the time period SpeechPOD will return to its normal mode and time delays etc.

“DELAY AFTER ACTIVATION—PLEASE SELECT TIME DELAY”

SpeechPOD will play the selected message immediately sensing motion, but will not play any message again for a time period which is selected by pressing the TIME DELAY button UP or Down. Typically this function is used for infection control messages to use hand gel prior to visiting patients and relatives.

“DELAY BEFORE ACTIVATION—PLEASE SELECT TIME DELAY”

SpeechPOD will be activated on sensing motion but will not play the selected message for a time period which is selected by pressing the TIME DELAY button UP or Down. Typically this function is used for hand washing, where a person enters a washroom and the product waits for 60 seconds before reminding them about the importance of hand hygiene.

“SEQUENTIAL MESSAGES—PLEASE SELECT ON OR OFF”

Press the TIME DELAY button to switch this ON or OFF. When ON, at the first detection of motion SpeechPOD will play the first message in the SPOD folder, on subsequent activations, the next message in the folder will be played and so on. This avoids any message fatigue and always makes the announcement fresh.

“MESSAGE REPEATS”

Once you have pressed the MODE button above, you can press the TIME DELAY button UP or DOWN to scroll through the MESSAGE REPEATS (the number of times that the device will play the message in alarm) The factory default setting is ONE. The options available are:

“ONE” ; “TWO” ; “THREE”



Once you have configured the SpeechPOD® element present on your device, press the SPEECHPOD button again to return to ‘RUN MODE’ which makes the device run normally and ready to generate alarm conditions. On exiting the configuration mode the device will provide the following message:

“DEVICE CONFIGURED”