

Banshee Excel Flash Dome Beacon

8582100DB

The Banshee Excel FlashDome features ultra-efficient LEDs and is ideal for use as a supplementary indicator in alarm systems. The FlashDome is 100% compatible with the rest of the Excel Sounder and Sounder Beacon range and utilises the same shallow and deep bases and broad range of accessories.

Specification	8582100DB
Operating Voltage (Vdc)	10-28
Flash Current Consumption (mA0)	7
Body Colours	Red
Lens Colour (Polycarbonate)	Red
Temperature Range (Deg C)	- 20 to + 70
Environment Category/ IP Rating	Type A/IP45 Std Base Type B/IP66 Deep Base

Part Numbers

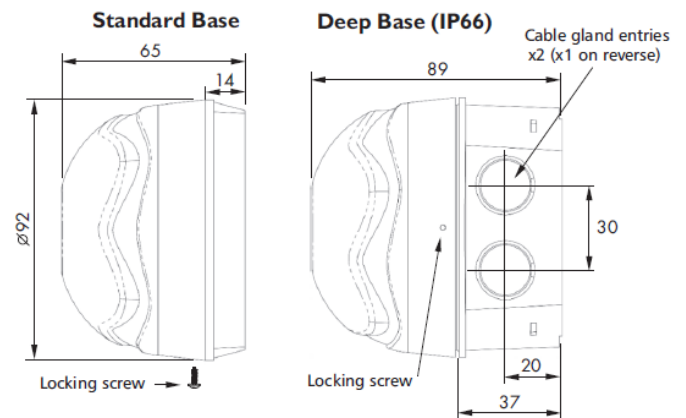
8582100	FlashDome – LED Beacon, Red
8582101	FlashDome – LED Beacon, Red, Deep Base IP66

Benefits and Features

- Ultra-efficient LEDs
- Very low current consumption
- Sleek, low-profile design
- Compatible with other Excel Sounders and Sounder Beacons and accessories
- Uses same bases as BansheeMT - simple push and twist bayonet mounting with locking screw



Installation Banshee Excel™ Flashdome Beacon



Banshee Excel™ Common Base

