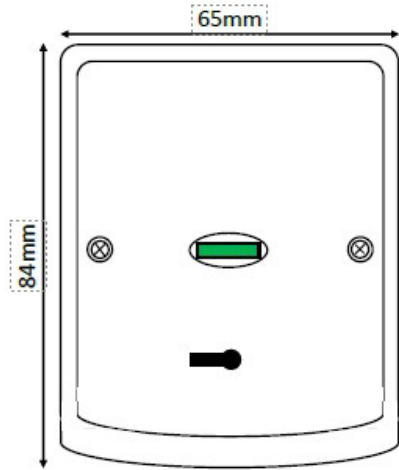
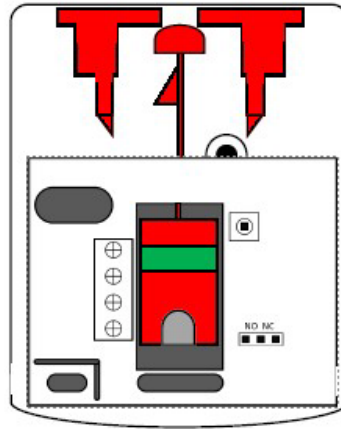


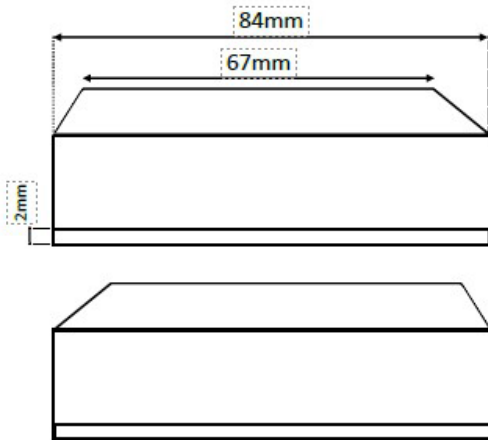
LID



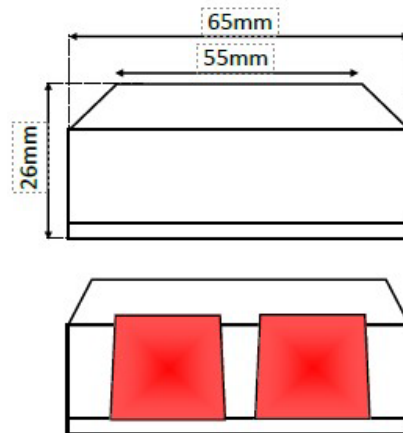
INTERNAL



S
I
D
E
S



E
N
D
S



Description

- Double End Push Panic Button
- Grade 3—Environmental Class II
- Normally Closed—Circuit broken on activation

Variants

- PAB-W (PA2EW) — White ABS
- PAB-S (PA2ES) — Black ABS, Stainless Steel Fascia

Activation

- Latching
- 1x N/C Microswitch (ALARM)
- 1x Tactile switch (TAMPER)
- 1x Back tamper wire loop
- Reset key provided

Knockouts

- 4 (1 END, 1 BACK, 2 SIDE)

Overall Dimensions (mm)

84mm X 65mm X 26mm

Temperature Range

-40 to +50 degrees celsius

Standards

EN 50131-1:2006+A3:2020 | PD6662:2017

Electrically Rated

- Max 15 Volts DC
- Max current 500mA